



laris-perfect.pl

LARIS

TOWEL DRYERS
DESIGN - RADIATORS

WATER • ELECTRIC



Laris is a recognized market leader, a company with 27 years of experience in the production of towel rails. The powerful dredging base of the company allows equipping products with components of own development that considerably simplifies carrying out works on installation of towel dryers, giving them a harmonious and aesthetic look.

The presence of its production and warehousing assets allows Laris to quickly satisfy any desire of its customers, offering the necessary products from quality materials. Towel dryers and bathroom accessories are designed by our technical department.

Laris production best combines high-tech, automated processes with the skill of the experienced and competent staff.

Laris towel dryers are modern solutions for creating a comfortable microclimate in bathrooms. The range of TM Laris includes about 300 standard sizes of towel dryers, which are provided in stylish and modern collections.

CONTENT

Water series

Elite | page 02

Atlant
Bond
Grand
Grand with a shelf
Solar
Hermes
Surfing
Nika
Quattro with a shelf

Classic | page 11

Euromix
Euromix with a shelf

Electrical series

Elite | page 12

Atlant Premium Electro
Grand Electro
Cascade Premium Electro
Sirius Electro

Classic | page 20

Atlant Premium Electro
Adam Electro
Brooklyn Electro
Orion Electro
Grut Electro
Reya Electro
Astor Electro
Gefest Premium Electro
Imidz Electro
Lavina Electro
Atlant Electro
Mirage Electro
Alfa Electro
Horysont Electro
Duet Electro
Practic Electro
Comfort Electro
Felicia Electro

Accessories | page 40

Regulators
Towel holders
Shelves
Holders for toilet paper

Additional equipment | page 44

Taps
Shower channels

Technical information | page 48

2

ELITE series
WATER

ATLANT

Number of dams	The distance between the centers of the walls, mm	Height (dimensions), mm	Width (dimensions), mm
P16	500	1200	530

SS   + T&E 1/2"



ELITE
series
WATER



BOND

Number of dams	The distance between the centers of the walls, mm	Height (dimensions), mm	Width (dimensions), mm
P7	500	900	530

SS   + TEN 1/2"

ELITE series

WATER

GRAND

Number of dams	The distance between the centers of the walls, mm	Height (dimensions), mm	Width (dimensions), mm
P11	500	900	530
P14	500	1200	530

SS   + TEN 



GRAND WITH A SHELF

Number of dams	The distance between the centers of the walls, mm	Height (dimensions), mm	Width (dimensions), mm
P11	500	900	535
P14	500	1200	535



SOLAR

Number of dams	The distance between the centers of the walls, mm	Height (dimensions), mm	Width (dimensions), mm
P20	500	1200	530



ELITE series
WATER



HERMES

Number of dams	The distance between the centers of the walls, mm	Height (dimensions), mm	Width (dimensions), mm
P12	500	700	530

SS   +TEN 

ELITE series

WATER

8



SURFING

Number of dams	The distance between the centers of the walls, mm	Height (dimensions), mm	Width (dimensions), mm
P11	1000	517	1030

SS   + TEN 

ELITE
series
WATER



NIKA

Number of dams	The distance between the centers of the walls, mm	Height (dimensions), mm	Width (dimensions), mm
P10	500	900	530

SS   + TEN 



QUATTRO WITH A SHELF

Number of dams	The distance between the centers of the walls, mm	Height (dimensions), mm	Width (dimensions), mm
P6	500	500	530
P10	500	800	530





EUROMIX

Number of dams	The distance between the centers of the walls, mm	Height (dimensions), mm	Width (dimensions), mm
P10	500	900	530



EUROMIX WITH A SHELF

Number of dams	The distance between the centers of the walls, mm	Height (dimensions), mm	Width (dimensions), mm
P10	500	900	530

ATLANT

PREMIUM

ELECTRO

Number of dams	The distance between the centers of the walls, mm	Height (dimensions), mm	Width (dimensions), mm
P12	500	1200	540





GRAND ELECTRO

Number of dams	The distance between the centers of the walls, mm	Height (dimensions), mm	Width (dimensions), mm
P10	500	900	530
P14	500	1200	530

SS



55°C

IP44

ERA-2



CASCADE
PREMIUM
ELECTRO

Number of dams	The distance between the centers of the walls, mm	Height (dimensions), mm	Width (dimensions), mm
P10	500	1200	594







SIRIUS ELECTRO

Number of dams	The distance between the centers of the walls, mm	Height (dimensions), mm	Width (dimensions), mm
P12	500	900	530



The regulators used for electric stainless steel towel warmers include:



ERA 1 Temperature Programmer:

- 6 operating modes
- "Child Lock" function for safety
- Timer with daily/weekly cycle
- Temperature adjustment



ERA 2 Temperature Regulator + Timer:

- Timer function with a range of 1-12 hours
- Temperature adjustment
- "Child Lock" function for safety

"Child Lock" function for safety.

These regulators provide control over the temperature and operation of the electric towel warmer, allowing users to set desired temperature levels and schedule specific operating times. The "Child Lock" feature ensures safety by preventing accidental changes to the settings.

CONNECTION OPTIONS



The main



Diagonal



Bottom



Side

A combined towel radiator is a practical solution for forward-thinking individuals. This product helps save money during the cold season and provides comfort in the bathroom when the central heating is turned off. The combined towel radiator is both a water-based and electric device, consisting of a set with the LARIS water towel radiator, an electric heating element (TEN), and a set of taps for the heating element. This device combines the advantages of both heating methods and allows for a convenient choice.



TEN (tubular heating element)

The power is selected based on the dimensions of the water towel radiator. For large and complex devices, a 900-watt (W) heating element should be chosen, while smaller ones can function adequately with a 300-watt (W) heating element.



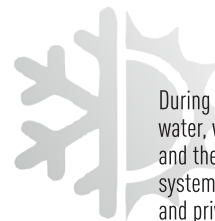
Angle valve for electric heater (LX-2044)

Helps install the heating element of the combined device.

The main feature of combined towel radiators is the ability to connect them simultaneously to the water supply system and electricity.



The impulse operating principle (turning the heating on and off) allows for minimizing energy consumption. Additionally, in the "electricity mode," the hybrid towel radiator can use purified water or water with softening additives (e.g., glycol) as the heat carrier, which significantly differs from tap water.

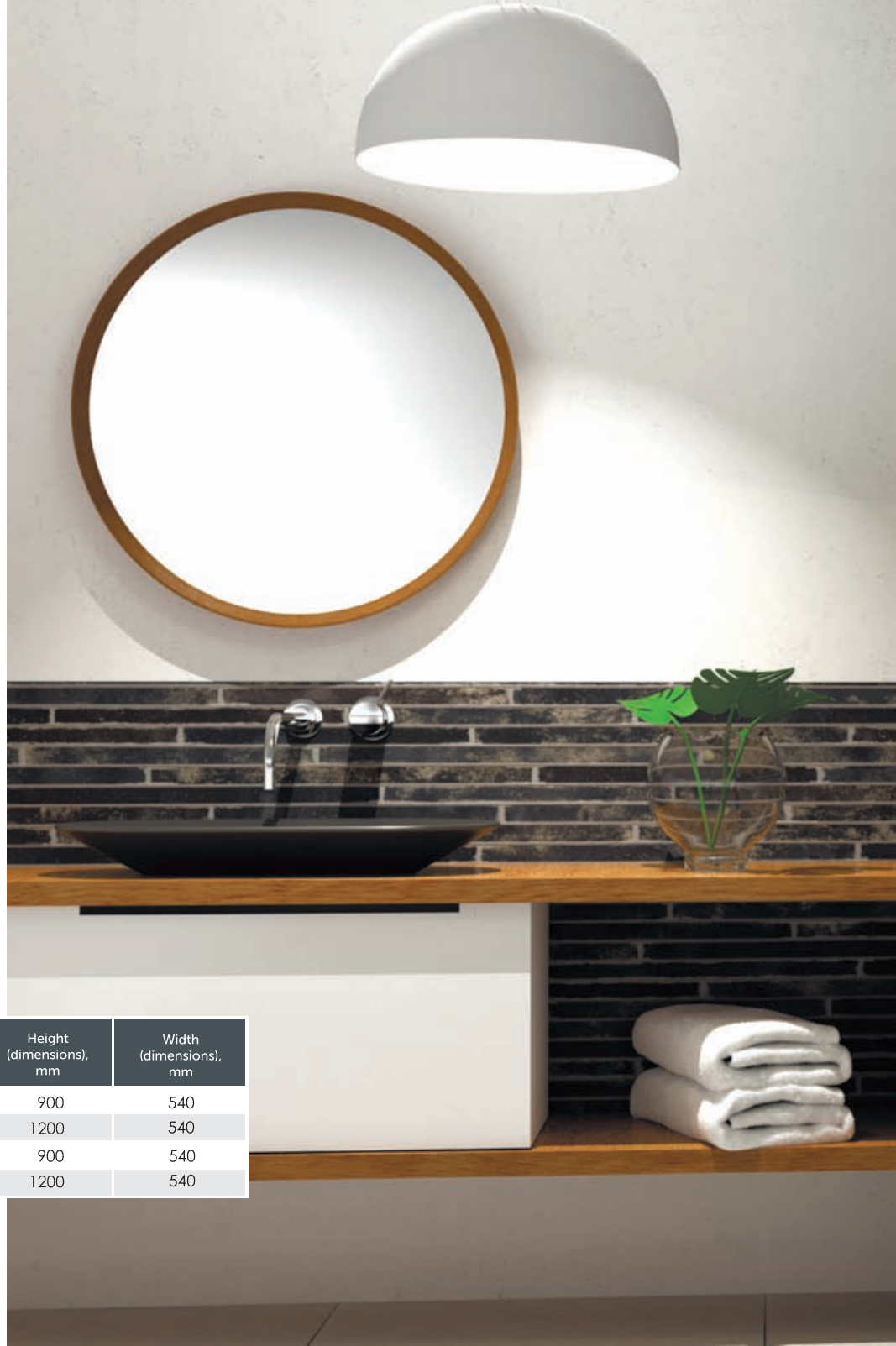


During the winter period, the device is heated by hot water, while in the summer, it is heated by electricity and the integrated heating element (TEN) within the system. This provides an advantage for both apartments and private houses, enabling year-round use of the product.

ATLANT PREMIUM ELECTRO

Number of dams	The distance between the centers of the walls, mm	Height (dimensions), mm	Width (dimensions), mm
P10	500	900	540
P14	500	1200	540
P(B)10	500	900	540
P(B)14	500	1200	540

BS  55°C IP44 ERA-1





CLASSIC series
ELECTRIC

**ADAM
ELECTRO**

Number of dams	The distance between the centers of the walls, mm	Height (dimensions), mm	Width (dimensions), mm
P14	500	900	500
P18	500	1200	500
P(B)14	500	900	500
P(B)18	500	1200	500

BS  55°C IP44 ERA-2





BROOKLYN ELECTRO

Number of dams	The distance between the centers of the walls, mm	Height (dimensions), mm	Width (dimensions), mm
P16	500	900	500
P20	500	1200	500
P(B)16	500	900	500
P(B)20	500	1200	500

BS



55°C

IP44

ERA-2

ORION ELECTRO

Number of dams	The distance between the centers of the walls, mm	Height (dimensions), mm	Width (dimensions), mm
P12	500	900	500
P(B)12	500	900	500

BS  55°C IP44 ERA-2





GRUT ELECTRO

Number of dams	The distance between the centers of the walls, mm	Height (dimensions), mm	Width (dimensions), mm
P16	500	1000	500
P(B)16	500	1000	500



CLASSIC series
ELECTRIC

REYA
ELECTRO

Number of dams	The distance between the centers of the walls, mm	Height (dimensions), mm	Width (dimensions), mm
P10	500	800	500
P12	500	1000	500
P(B)10	500	800	500
P(B)12	500	1000	500

BS  55°C IP44 ERA-2





ASTOR ELECTRO

Number of dams	The distance between the centers of the walls, mm	Height (dimensions), mm	Width (dimensions), mm
P8	1000	540	1030
P(B)8	1000	540	1030



CLASSIC series

ELECTRIC

GEFEST PREMIUM ELECTRO

Number of dams	The distance between the centers of the walls, mm	Height (dimensions), mm	Width (dimensions), mm
P10	500	1200	540
P(B)10	500	1200	540

BS  55°C IP44 ERA-1



IMIDZ
ELECTRO

Number of dams	The distance between the centers of the walls, mm	Height (dimensions), mm	Width (dimensions), mm
P12	350	900	380
P(B)12	350	900	380





LAVINA ELECTRO

Number of dams	The distance between the centers of the walls, mm	Height (dimensions), mm	Width (dimensions), mm
P10	500	900	530
P13	500	1200	530
P(B)10	500	900	530
P(B)13	500	1200	530





ATLANT ELECTRO

Number of dams	The distance between the centers of the walls, mm	Height (dimensions), mm	Width (dimensions), mm
P6	500	700	530
P8	500	900	530
P(B)6	500	700	530
P(B)8	500	900	530

BS



55°C

IP44

ERA-3

MIRAGE ELECTRO

Number of dams	The distance between the centers of the walls, mm	Height (dimensions), mm	Width (dimensions), mm
P11	500	1200	540
P(B)11	500	1200	540

BS  55°C IP44 ERA-1





ALFA ELECTRO

Number of dams	The distance between the centers of the walls, mm	Height (dimensions), mm	Width (dimensions), mm
P6	400	600	425
P6	500	600	525
P8	400	800	425
P8	500	800	525
P10	500	900	525
P(B)6	400	600	425
P(B)6	500	600	525
P(B)8	400	800	425
P(B)8	500	800	525
P(B)10	500	900	525





34

CLASSIC series

ELECTRIC

HORYSONT ELECTRO

Number of dams	The distance between the centers of the walls, mm	Height (dimensions), mm	Width (dimensions), mm
P6	1000	600	1025
P(B)6	1000	600	1025




DUET
ELECTRO

Number of dams	The distance between the centers of the walls, mm	Height (dimensions), mm	Width (dimensions), mm
P3	80	1200	105
P(B)3	80	1200	105



CLASSIC series

ELECTRIC

PRACTIC ELECTRO

Number of dams	The distance between the centers of the walls, mm	Height (dimensions), mm	Width (dimensions), mm
P6	1000	600	1025
P(B)6	1000	600	1025

BS  55°C IP44 ERA-3





COMFORT ELECTRO

Number of dams	The distance between the centers of the walls, mm	Height (dimensions), mm	Width (dimensions), mm
P6	500	600	525
P8	500	800	525
P10	500	900	525
P(B)6	500	600	525
P(B)8	500	800	525
P(B)10	500	900	525



CLASSIC series

ELECTRIC

FELICIA ELECTRO

Number of dams	The distance between the centers of the walls, mm	Height (dimensions), mm	Width (dimensions), mm
P6	500	728	560
P(B)6	500	728	560

BS



55°C

IP44

ERA-3





Regulators used for painted steel towel warmers

ERA 1
Temperature Programmer

- 6 operating modes
- "Child Lock" function for safety
- Timer with daily/weekly cycle
- Temperature adjustment

ERA 2
Temperature Regulator + Timer

- Timer function with a range of 1-12 hours
- Temperature adjustment
- "Child Lock" function for safety

ERA-3
Electronic microprocessor power regulator

- 3-hour timer
- Control with a single multifunctional button
- Quick heating function
- Three operating modes
- ECO function (automatic transition to reduced power consumption mode)
- Four LED indicators

"Child Lock" function for safety

These regulators provide control over the temperature and operation of the electric towel warmer, allowing users to set desired temperature levels and schedule specific operating times. The "Child Lock" feature ensures safety by preventing accidental changes to the settings.

GRAND

Used for: oval tube 18x32 mm

**QUATTRO**

Used for: rectangular tube 30x10 mm

**CLASSIC**

Used for: round tube with a diameter of 25 mm

**Specifications**

Material: stainless steel AISI 304

Holder length: 500 mm

Distance between mounting centers: 450 mm

WALL-MOUNTED STANDARD HANDLE 500/400/300**Specifications**

Material: stainless steel AISI 304

Length: 500/400/300 mm center to center

Diameter: 20 mm

Base plate: 56mm, thickness 3 mm

Decorative flange: 59mm, thickness 0.5 mm

STRAIGHT**WAVE****RETRO****MINIMAL****CORNER****WAVE****RETRO****MINIMAL**

Laris company offers its customers a variety of options for corner and straight shelves.

Stainless steel shelves from Laris demonstrate high resistance to wear, mechanical damage, impacts, increased humidity, temperature changes, the negative impact of environmental factors, and significant operational loads throughout their service life.

It is worth noting that Laris stainless steel shelves are characterized by quick and easy installation, requiring no special knowledge. All the necessary elements for assembling and installing the stainless steel shelf come in a complete set.

Such shelves are perfect for various bathroom or shower interiors.



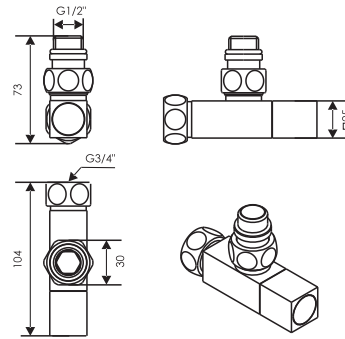


TAPS

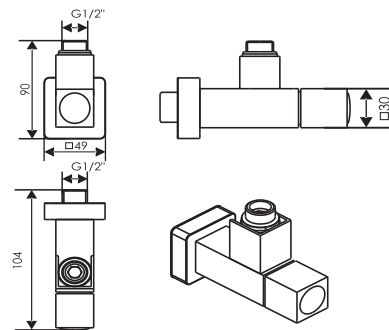
FAUCETS QUATTRO CLASSIC (LX-851)



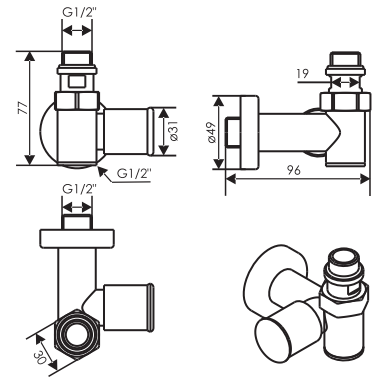
Decorative caps are not included in the set.



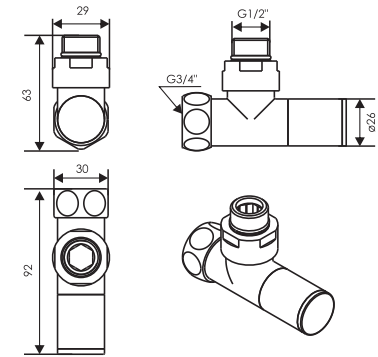
FAUCETS QUATTRO (LX-855)



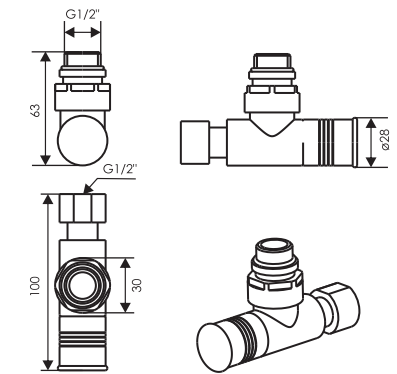
FAUCETS FAUCET FOR TEN (LX-2044)



FAUCETS ORDINARY CORNER FAUCET + ECCENTRICS (ZZ-4701)

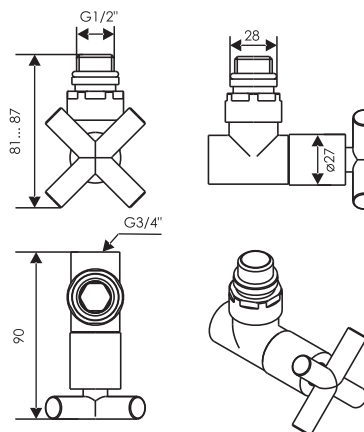


FAUCETS ORDINARY CORNER FAUCET (ZZ-4702)

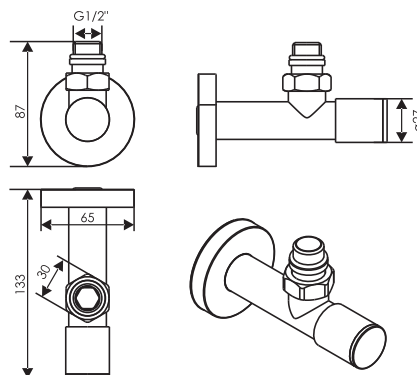


Decorative caps are not included in the set.

CORNER FAUCET ELIT (ZZ-4704)



ANGULAR FAUCET EXTENSION (ZZ-5101)



ADDITIONAL EQUIPMENT

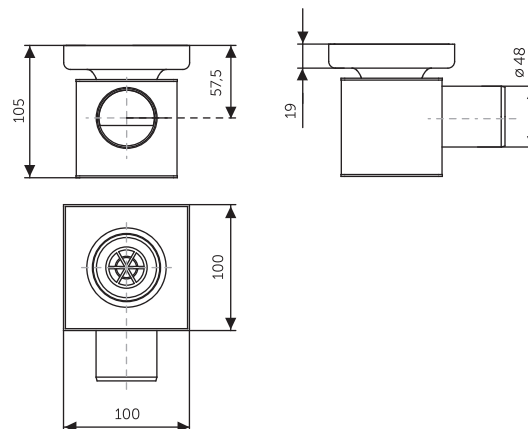
SHOWER CHANNEL PIANO 100



Dimensions:
Length - 100mm
Width - 140mm
Height - 103mm

Package Contents:
Shower channel - 1 piece
Perforated grate - 1 piece
Grate removal hook - 1 piece
Hydroseal valve - 1 piece
Hydroseal strip

Technical Specifications:
Water column - 30mm
Water flow rate - 36l/min (with hydroseal valve)
- 24l/min (with dry valve)
Hydroseal resistance (without valve) - 300 Pa
Hydroseal resistance (with valve) - 450 Pa
Drain pipe diameter - 48mm
Load class K3 - 300kg



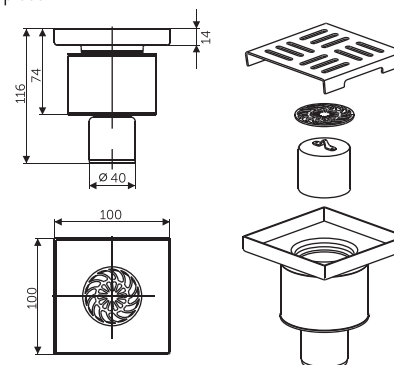
SHOWER CHANNEL WITH BOTTOM OUTLET PIANO 100



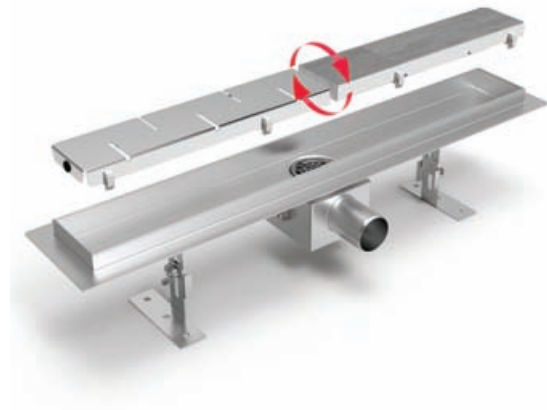
Dimensions:
Length - 100mm
Width - 100mm
Height - 116mm

Package Contents:
Shower channel - 1 piece
Perforated channel grate - 1 piece
Cup - 1 piece
Grate removal hook - 1 piece
Perforated cup grate - 1 piece
Hydroseal strip

Technical Specifications:
Water column - 30mm
Water flow rate - 36l/min (with hydroseal valve)
Hydroseal resistance - 300 Pa
Drain pipe diameter - 40mm
Load class K3 - 300kg



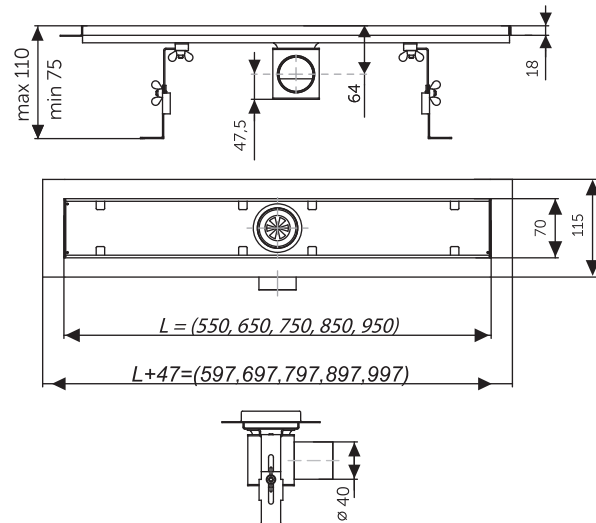
DOUBLE SIDED SHOWER DRAIN



Package Contents:
 Shower channel - 1 piece
 Perforated grate - 1 piece
 Adjustable legs - 1 piece
 Grate removal hook - 1 piece
 Hydroseal valve - 1 piece
 Hydroseal strip
 Mounting kit for adjustable legs

Technical Specifications:
 Water column - 30mm
 Water flow rate - 36l/min (with hydroseal valve)
 - 24l/min (with dry valve)
 Hydroseal resistance (without valve) - 300 Pa
 Hydroseal resistance (with valve) - 450 Pa
 Drain pipe diameter - 48mm
 Load class K3 - 300kg

ADDITIONAL EQUIPMENT



Name	Length mm	Width mm	Height mm
Piano 100	100	140	103
Piano 550	610	153	105
Piano 650	710	153	105
Piano 750	810	153	105
Piano 850	910	153	105
Piano 950	1010	153	105



AISI 304 STAINLESS STEEL



ODOUR PROTECTION



STRENGTH CLASS K3 (300KG)



ELITE series

CHARACTERISTIC

EAN	The number of jumpers	Size WxH	Weight, kg ±2%	Thermal power, Wt		Allocation jumpers	Depth, mm	Stand, mm	Jumpers, mm
				ΔT 50	ΔT 60				
ATLANT									
5905575466143	16	500x1200	15,9	416	499	3-6-7	83	□ 30x30	oval 41x17
BOND									
5905575466211	7	500x800	7,9	210	252	3-3-2	70	□ 30x30	□ 50x10
GRAND									
5905575466174	14	500x1200	11,0	333	400	3-3-4-4	84	□ 30x30	oval 32x18
GRAND WITH A SHELF									
5905575466181	11	500x900	10,0	281	338	3-4-4	263	□ 35x35	oval 32x18
SOLAR									
5905575466150	20	500x1200	13,3	388	466	6-6-8	70	□ 30x30	□ 30x10
HERMES									
5905575466204	12	500x700	7,5	236	284	2-3-2-3-2	154	□ 30x30	Ø 20
SURFING									
5905575466167	11	1000x500	11,4	350	420	evenly	70	□ 30x30	□ 30x10
NIKA									
5905575466242	10	500x900	8,4	236	283	3-3-4	159	□ 30x30	Ø 20
QUATTRO WITH A SHELF									
5905575466235	10	500x800	7,7	224	293	1-2-3-4	237	Ø 30	□ 30x10
EUROMIX									
5905575466198	10	500x900	6,6	235	282	evenly	189	□ 30x30	Ø 20
EUROMIX WITH A SHELF									
5905575466181	10	500x900	7,2	260	312	evenly	299	Ø 30	Ø 20

Material: stainless steel AISI 304

Working fluid: technical water, antifreeze, oil

Parameters of the coolant: working pressure up to 1 MPa
temperature up to 90°C

Thread: 1/2 internal

CLASSIC series



EAN		The number of jumpers	Size WxH	Weight, kg ±2%	Thermal power, Wt	Allocation jumpers	Depth, mm	Stand, mm	Jumpers, mm	
Left	Right									
ATLANT PREMIUM ELECTRO										
5905858689504	5905858689511	12	500x1200	10,1	300	3-4-5	87	□40x40	oval 41x17	
GRAND ELECTRO										
5905858689146	5905858689153	10	500x900	6,9	185	3-3-4	82	□30x30	oval 32x18	
5905858689160	5905858689177	14	500x1200	9,2	245	3-3-4-4	82	□30x30	oval 32x18	
CASCADE PREMIUM ELECTRO										
5905858689184	590585868919	10	500x1200	10,0	210	cascade	188	□30x30	Ø 25	
SIRIUS ELECTRO										
5905858689207	5905858689214	12	500x900	7	200	1-5-3-3	70/393	□30x30	oval 32x18	
ATLANT PREMIUM ELECTRO										
5905858689207	5905858689214	10	500x900	8,5	260	3-3-4	82	□40x30	oval 44x18	
5905858689207	5905858689214	14	500x1200	11,5	370	4-4-6	82	□40x30	oval 44x18	
5905858689542	5905858689559	(B)10	500x900	8,5	260	3-3-4	82	□40x30	oval 44x18	
5905858689283	5905858689559	(B)14	500x1200	11,5	370	4-4-6	82	□40x30	oval 44x18	
ADAM ELECTRO										
5905858689221	5905858689238	14	500x900	10,5	270	3-8-3	70	□40x30	□20x20	
5905858689269	5905858689276	18	500x1200	13,5	350	3-6-6-3	70	□40x30	□20x20	
5905858689245	5905858689252	(B)14	500x900	10,5	270	3-8-3	70	□40x30	□20x20	
5905858689283	5905858689290	(B)18	500x1200	13,5	350	3-6-6-3	70	□40x30	□20x20	
BROOKLYN ELECTRO										
5905858689306	5905858689313	16	500x900	9,7	260	5-3-3-5	70	□40x30	Ø18	
5905858689344	5905858689351	20	500x1200	12,4	300	5-5-5-5	70	□40x30	Ø18	
5905858689320	5905858689337	(B)16	500x900	9,7	260	5-3-3-5	70	□40x30	Ø18	
5905858689368	5905858689375	(B)20	500x1200	12,4	300	5-5-5-5	70	□40x30	Ø18	
ORION ELECTRO										
5905858689467	5905858689474	12	500x900	10,97	290	2-2-3-2-3	163	□40x30	Ø25	
5905858689481	5905858689498	(B)12	500x900	10,97	290	2-2-3-2-3	163	□40x30	Ø25	



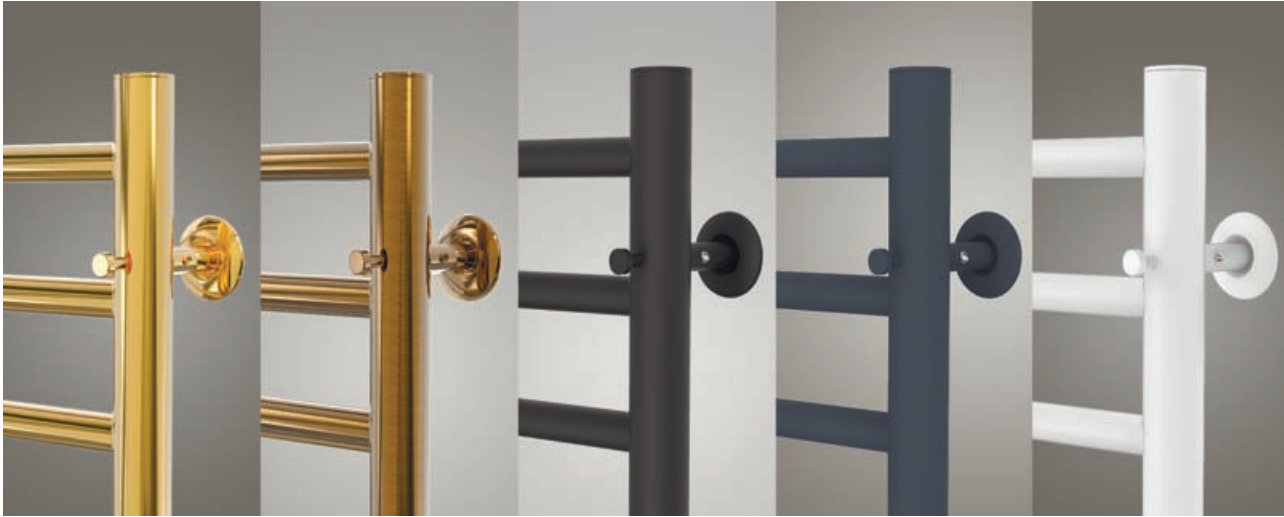
EAN		The number of jumpers	Size WxH	Weight, kg ±2%	Thermal power, Wt	Allocation jumpers	Depth, mm	Stand, mm	Jumpers, mm
Left	Right								
GRUT ELECTRO									
5905575466655	5905575466648	8	500x1000	12,14	300	2-3-3	70	□40x30	□70x11
5905575466051	5905575466631	(B)8	500x1000	12,14	300	2-3-3	70	□40x30	□70x11
REYA ELECTRO									
5905858689382	5905858689399	10	500x800	7,7	260	3-4-3	80	□40x30	oval 44x18
5905858689429	5905858689436	12	500x1000	8,1	320	3-6-3	80	□40x30	oval 44x18
5905858689405	5905858689412	(B)10	500x800	7,7	260	3-4-3	80	□40x30	oval 44x18
5905858689443	5905858689450	(B)12	500x1000	8,1	320	3-6-3	80	□40x30	oval 44x18
ASTOR ELECTRO									
5905575466136	5905575466389	8	1000x540	8,7	225	1-5-2	70/380	□30x30	Ø18
5905575466990	5905575466013	(B)8	1000x540	8,7	225	1-5-2	70/380	□30x30	Ø18
GEFEST PREMIUM ELECTRO									
5905575466020	5905575466396	10	500x1200	14,31	380	3-3-4	70	□40x30	□70x11
5905575466747	5905575466730	(B)10	500x1200	14,31	380	3-3-4	70	□40x30	□70x11
IMIDZ ELECTRO									
5905575466693	5905575466709	12	350x900	14,31	190	3-6-3	70	□30x30	□20x20
5905575466099	5905575466624	(B)12	350x900	14,31	190	3-6-3	70	□30x30	□20x20
LAVINA ELECTRO									
5905575466549	5905575466556	10	500x900	11,21	280	3-4-3	80	□40x30	□70x11 oval 44x18
5905575466570	5905575466587	13	500x1200	14,46	380	4-5-4	80	□40x30	□70x11 oval 44x18
5905575466532	5905575466037	(B)10	500x900	11,21	280	3-6-3	80	□40x30	□70x11 oval 44x18
5905575466563	5905575466044	(B)13	500x1200	14,46	380	3-6-3	80	□40x30	□70x11 oval 44x18
ATLANT ELECTRO									
5905575466488	5905575466495	6	500x700	5,3	160	2-2-2	82	□30x30	oval 44x18
5905575466518	5905575466525	8	500x900	6,9	210	2-2-2-2	82	□30x30	oval 44x18
5905575466471	5905575466075	(B)6	500x700	5,3	160	2-2-2	82	□30x30	oval 44x18
5905575466501	5905575466068	(B)8	500x900	6,9	210	2-2-2-2	82	□30x30	oval 44x18



EAN		The number of jumpers	Size WxH	Weight, kg ±2%	Thermal power, Wt	Allocation jumpers	Depth, mm	Stand, mm	Jumpers, mm	
Left	Right									
MIRAGE ELECTRO										
5905858689061	5905858689078	11	500x1200	13,17	340	evenly	70	□40x30	□30	
5905858689085	5905858689092	(B)11	500x1200	13,17	340	evenly	70	□40x30	□30	
ALFA ELECTRO										
5905575466716	5905575466723	6	400x600	3,7	85	evenly	67	□25x25	Ø18	
5905575466839	5905575466846	6	500x600	4,52	100	evenly	67	□25x25	Ø18	
5905575466877	5905575466884	8	400x800	4,8	115	evenly	67	□25x25	Ø18	
5905575466914	5905575466921	8	500x800	5,75	130	evenly	67	□25x25	Ø18	
5905575466457	5905575466464	10	500x900	6,5	160	evenly	67	□25x25	Ø18	
5905575466952	5905575466969	12	350x900	7,1	160	evenly	67	□25x25	Ø18	
5905575466112	5905575466433	(B)6	400x600	3,7	85	evenly	67	□25x25	Ø18	
5905575466853	5905575466860	(B)6	500x600	4,52	100	evenly	67	□25x25	Ø18	
5905575466891	5905575466907	(B)8	400x800	4,8	115	evenly	67	□25x25	Ø18	
5905575466938	5905575466945	(B)8	500x800	5,8	130	evenly	67	□25x25	Ø18	
5905575466440	5905575466105	(B)10	500x900	6,5	160	evenly	67	□25x25	Ø18	
5905575466976	5905575466983	(B)12	350x900	7,1	160	evenly	67	□25x25	Ø18	
HORIZONT ELECTRO										
5905858689009	5905858689016	6	1000x600	5,3	160	evenly	65	□25x25	Ø18	
5905858689030	5905858689023	(B)6	1000x600	5,3	160	evenly	65	□25x25	Ø18	
DUET ELECTRO										
5905575466617	5905575466600	3	800x1200	3,1	80	evenly	80	□25x25	□30x15	
5905575466129	5905575466594	(B)3	800x1200	3,1	80	evenly	80	□25x25	□30x15	
PRACTIC ELECTRO										
5905858689108	5905858689115	6	1000x600	5,5	170	evenly	142	□25x25	Ø18	
5905858689122	5905858689139	(B)6	1000x600	5,5	170	evenly	142	□25x25	Ø18	



Left	EAN		The number of jumpers	Size WxH	Weight, kg ±2%	Thermal power, Wt	Allocation jumpers	Depth, mm	Stand, mm	Jumpers, mm
		Right								
COMFORT ELECTRO										
5905575466754	5905575466761		6	500x600	3,6	110	evenly	142	□25x25	Ø18
5905575466792	5905575466808		8	500x800	4,7	140	evenly	142	□25x25	Ø18
5905575466419	5905575466426		10	500x900	5,6	170	evenly	142	□25x25	Ø18
5905575466778	5905575466785		(B)6	500x600	3,6	110	evenly	142	□25x25	Ø18
5905575466815	5905575466822		(B)8	500x800	4,7	140	evenly	142	□25x25	Ø18
5905575466402	5905575466082		(B)10	500x900	5,6	170	evenly	142	□25x25	Ø18
FELICIA ELECTRO										
5905858689047			6	500x700	5,4	120	evenly	258	□25x25	Ø18
5905858689054			(B)6	500x700	5,4	120	evenly	258	□25x25	Ø18



GOLD

BRONZE

BLACK

GRAPHITE

WHITE



Water towel rack is designed for use in heating and water supply systems.



Electric towel rack - economical, convenient, and safe. Energy consumption can be compared to that of a single light bulb - from 60W. Safety is guaranteed by the use of double insulation. Safety is guaranteed by the use of double insulation.



Combined towel rack can be connected to the heating system and additionally equipped with an electric heating element.



Switch on the plug.



Maximum temperature for heating the towel rack.



Towel dryers are made of steel pipes coated with high-quality powder paint, and in order to enhance the metal's resistance to corrosion, towel dryers undergo a phosphating process before painting.



Food-grade stainless steel AISI 304 is used for manufacturing the towel rack.



High degree of protection against external factors such as dust, moisture, and foreign objects.



The presence of a regulator allows for temperature adjustment and energy consumption control.




Connection thread for heating system.



Used regulators.




 POLAND

 +48 537 771 403

 laris.biuro@gmail.com

 biuro@laris-perfect.pl

 laris-perfect.pl